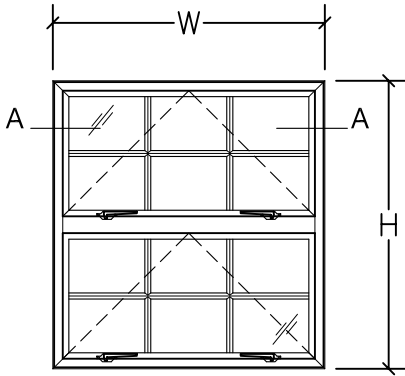
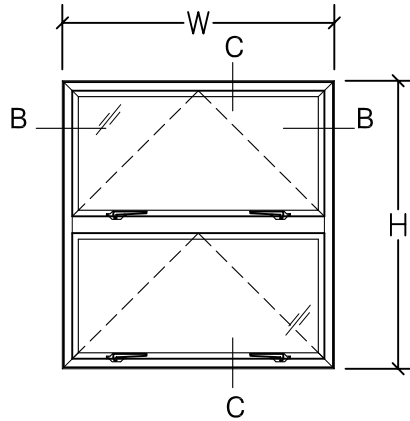


## UPVC SURELINE SERIES 2000 AWNING WINDOWS



WITH MUNTINS



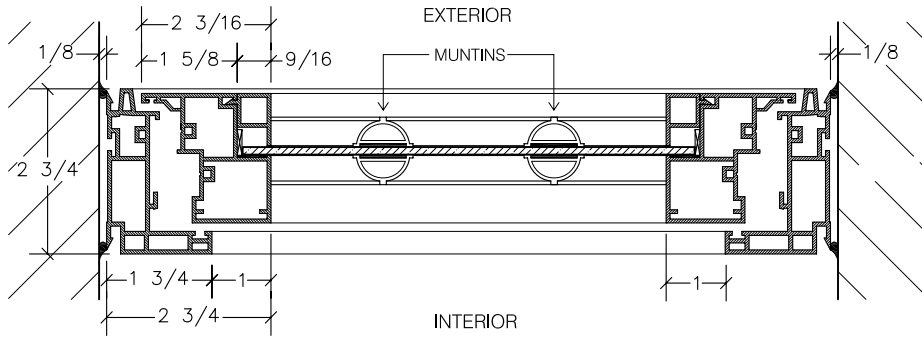
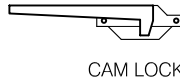
WITHOUT MUNTINS

ELEVATIONS ARE VIEWED FROM THE INSIDE

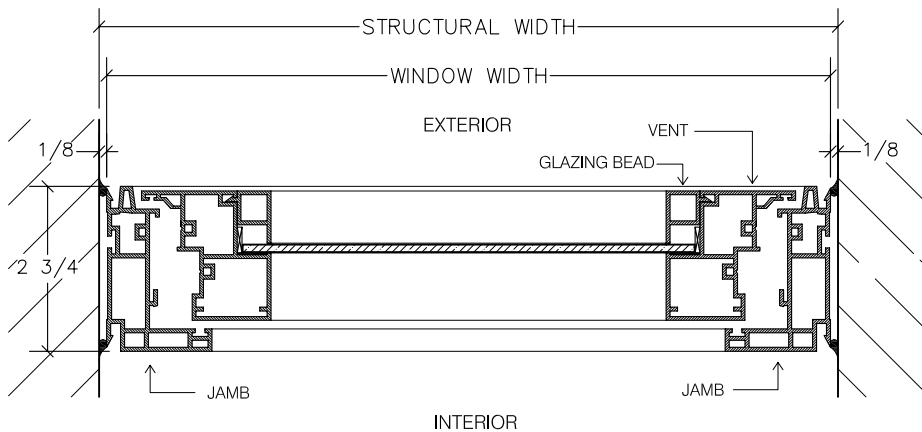
Oran's UPVC Awning window provides a lifetime of low maintenance performance. The strong, durable vinyl construction allows for full ventilation and air tight seal. The stainless steel hardware is durable and will not rust while the unique keeperless locking handle is secure and attractive.

**FEATURES:**

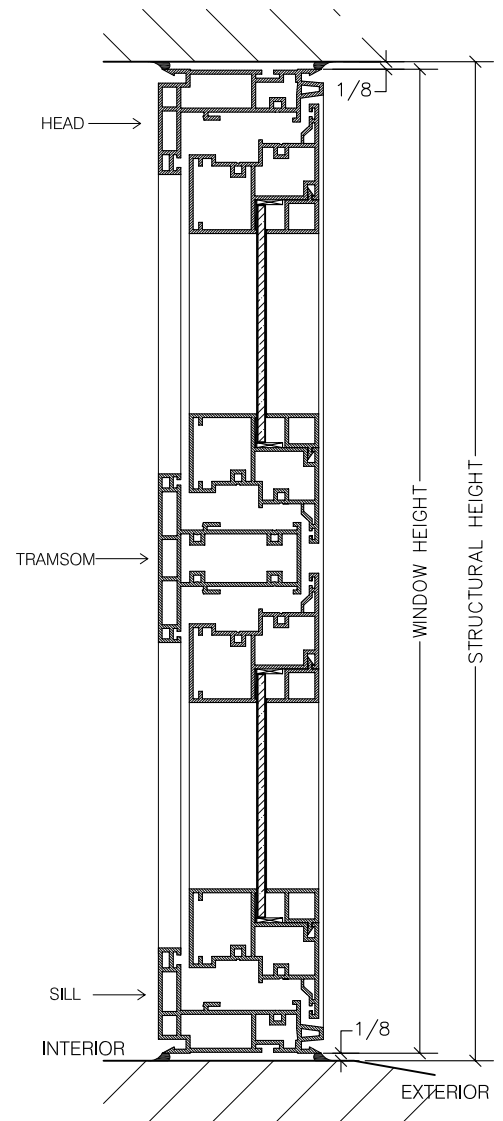
- UPVC profiles will not fade, rot, peel or corrode
- Dual weatherstripping for energy - efficient seal
- Clear, obscure, tinted and reflective glass
- Stainless steel friction hinges and locking handles



SECTION A-A



SECTION B-B



SECTION C-C