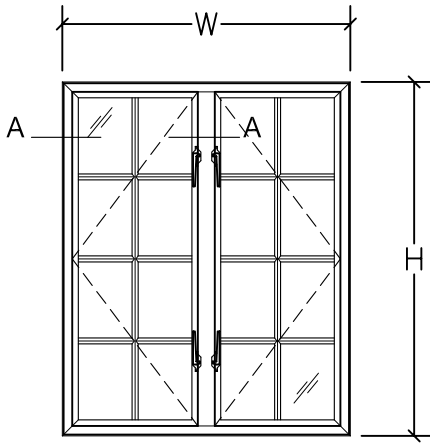
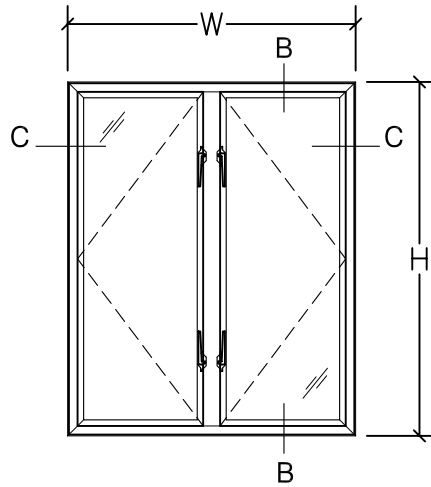


UPVC SURELINE SERIES 2000 CASEMENT WINDOWS

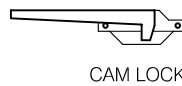


WITH MUNTINS



WITHOUT MUNTINS

ELEVATIONS ARE VIEWED FROM THE INSIDE

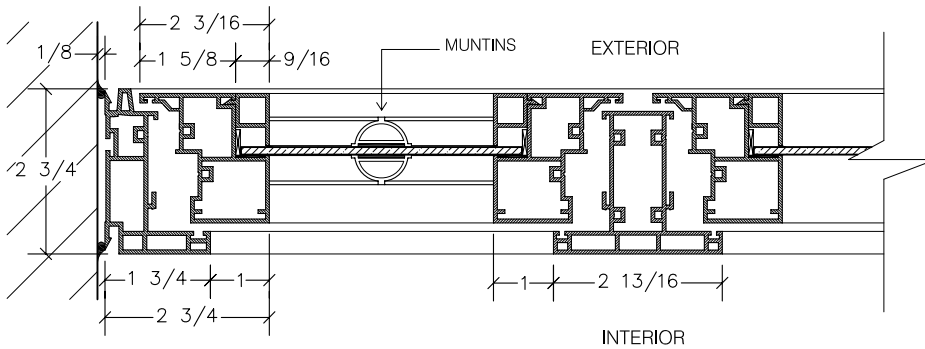


CAM LOCK

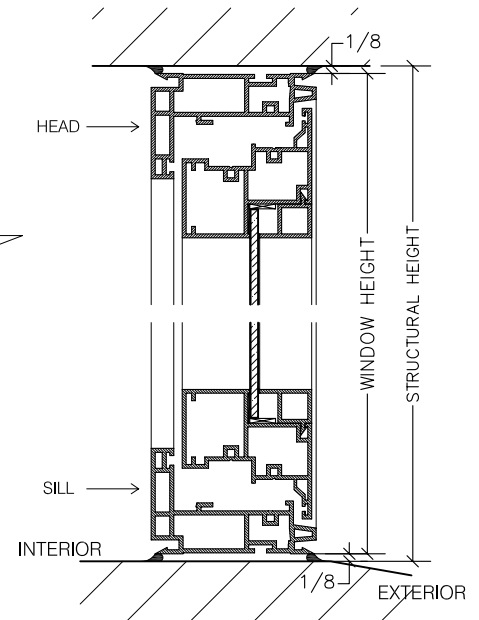
The Sureline Casement window provides the perfect mix of style, energy efficiency and convenience. Its clean design and strong fusion welded vinyl construction will provide you with maintenance free performance. The casement window is available with left hinge, right hinge or fixed vents.

FEATURES:

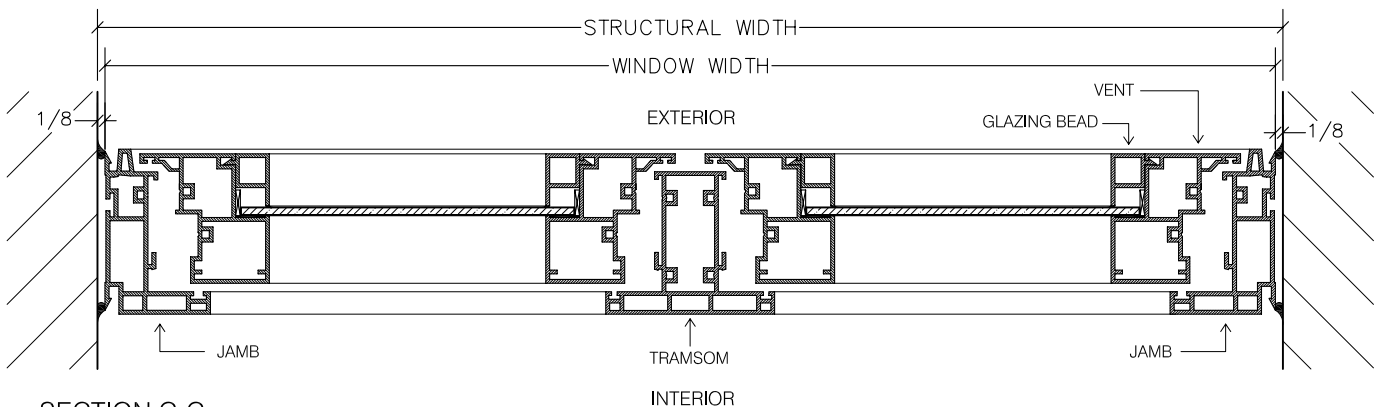
- Plastic profiles will not fade, rot, peel or corrode
- Stainless steel, friction hinges and cam locking handles for superior seal
- Clear, obscure, tinted and reflective glass
- Optional crank operator
- Optional vanishing screen
- Available with or without muntins.



SECTION A-A

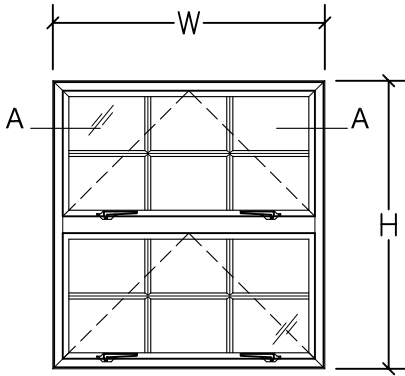


SECTION B-B

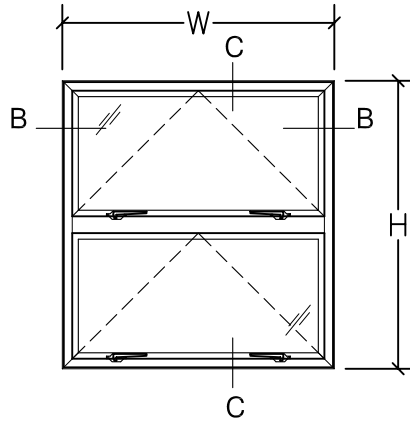


SECTION C-C

UPVC SURELINE SERIES 2000 AWNING WINDOWS



WITH MUNTINS



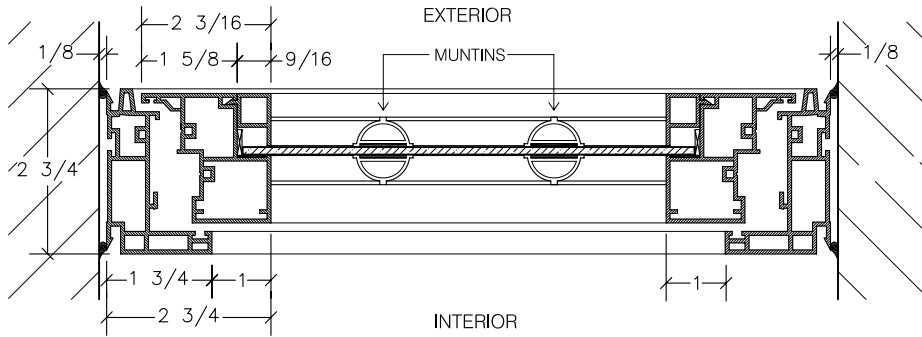
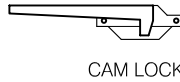
WITHOUT MUNTINS

ELEVATIONS ARE VIEWED FROM THE INSIDE

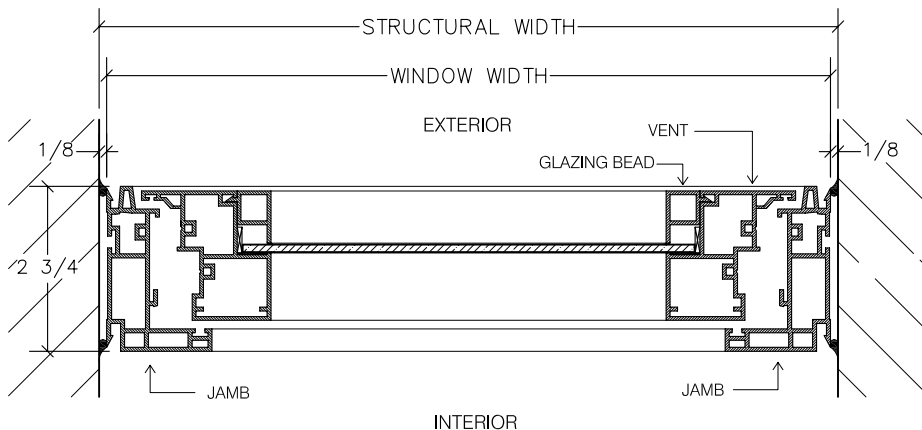
Oran's UPVC Awning window provides a lifetime of low maintenance performance. The strong, durable vinyl construction allows for full ventilation and air tight seal. The stainless steel hardware is durable and will not rust while the unique keeperless locking handle is secure and attractive.

FEATURES:

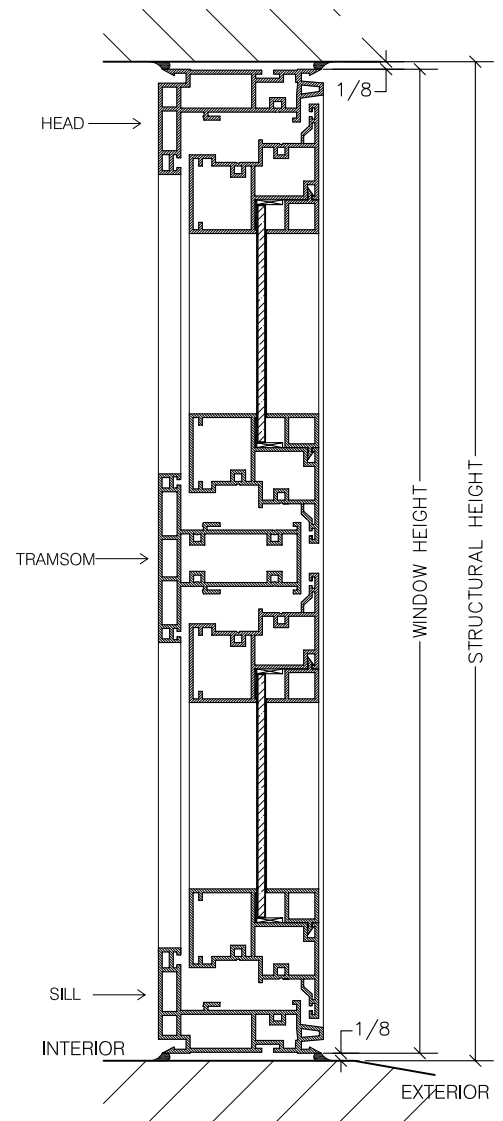
- UPVC profiles will not fade, rot, peel or corrode
- Dual weatherstripping for energy - efficient seal
- Clear, obscure, tinted and reflective glass
- Stainless steel friction hinges and locking handles



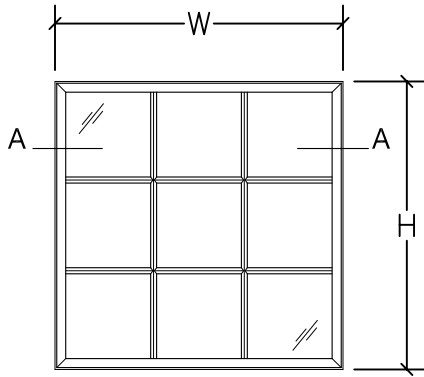
SECTION A-A



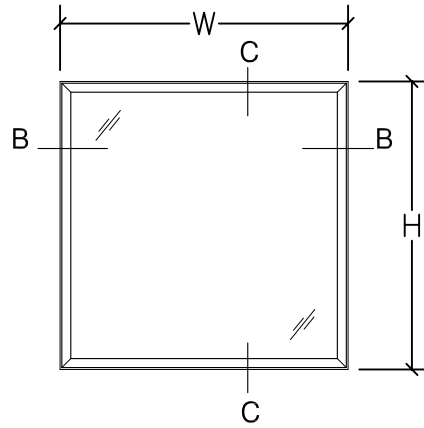
SECTION B-B



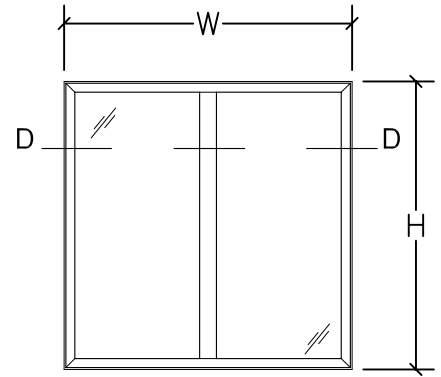
SECTION C-C



WITH MUNTINS

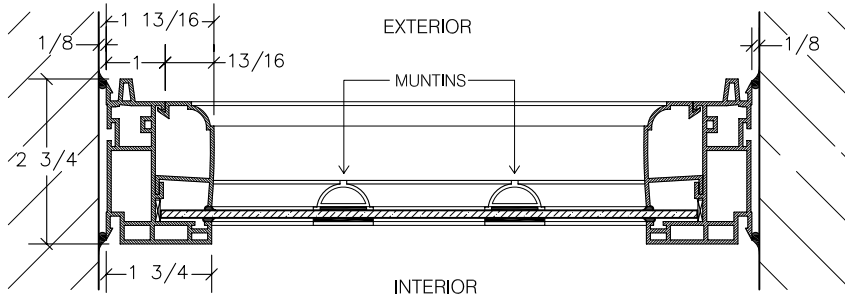


WITHOUT MUNTINS

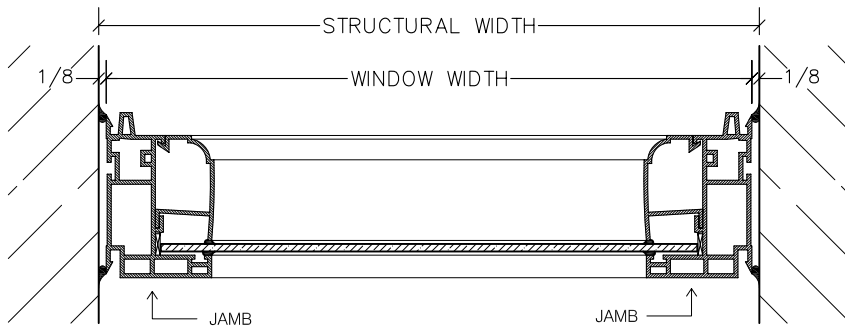


FIXED IN 2 BAYS

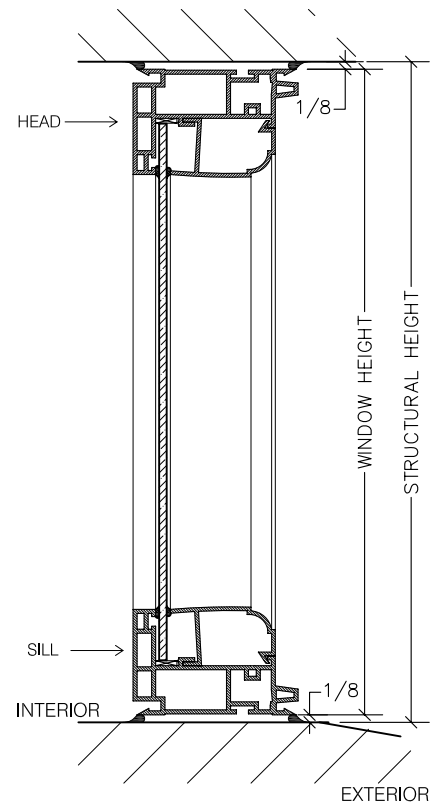
ELEVATIONS ARE VIEWED FROM THE INSIDE



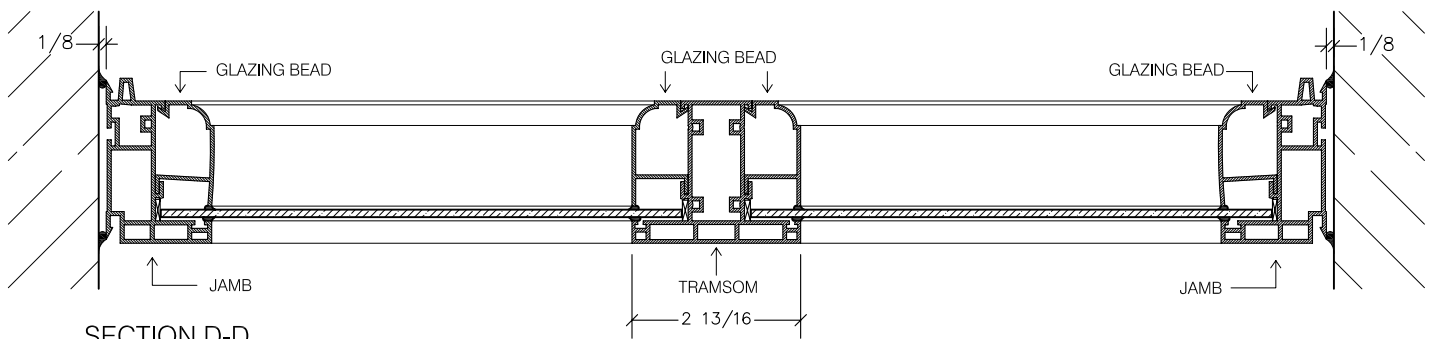
SECTION A-A



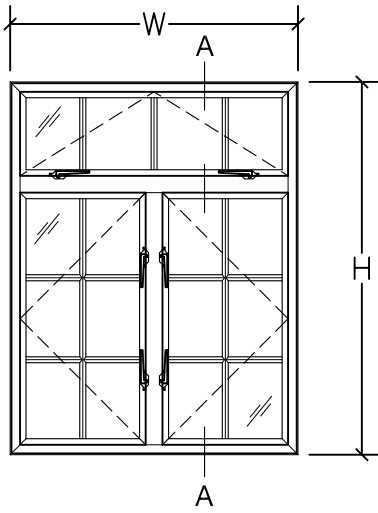
SECTION B-B



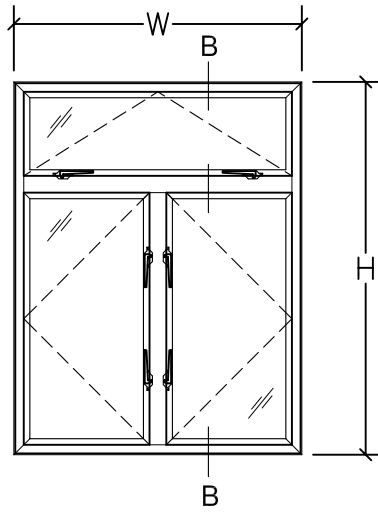
SECTION C-C



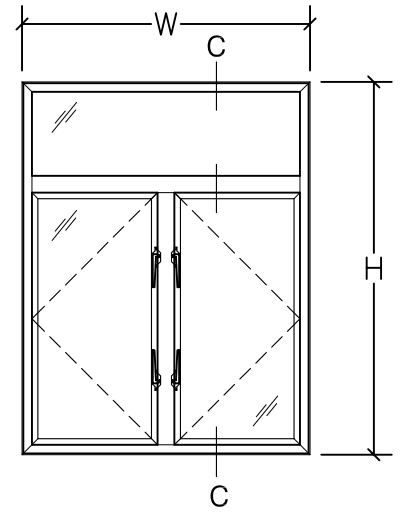
SECTION D-D



2 S.P.O AND 1 T.P.O (WITH MUNTINS)



2 S.P.O AND 1 T.P.O (WITHOUT MUNTINS)



2 S.P.O WITH 1 FIXED ABOVE

ELEVATIONS ARE VIEWED FROM THE INSIDE

