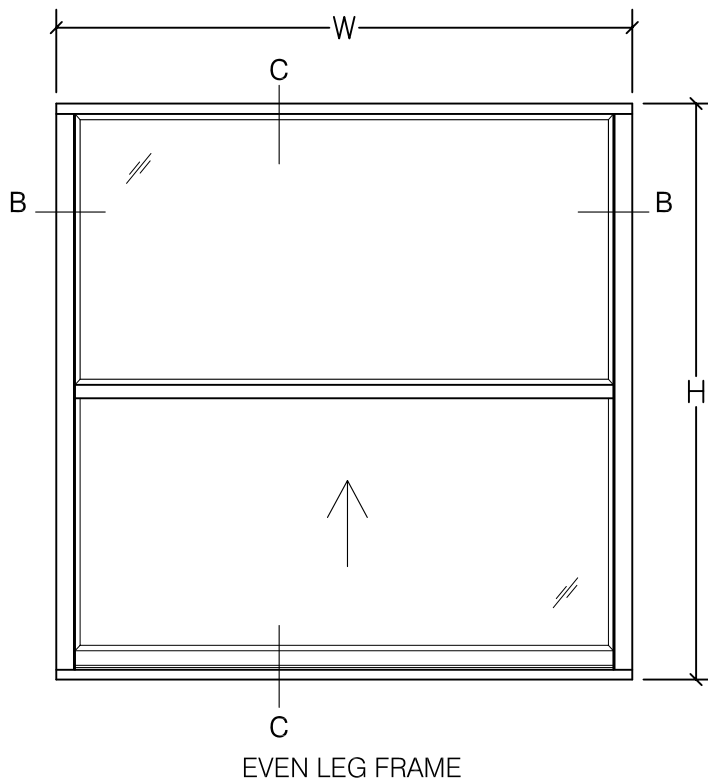
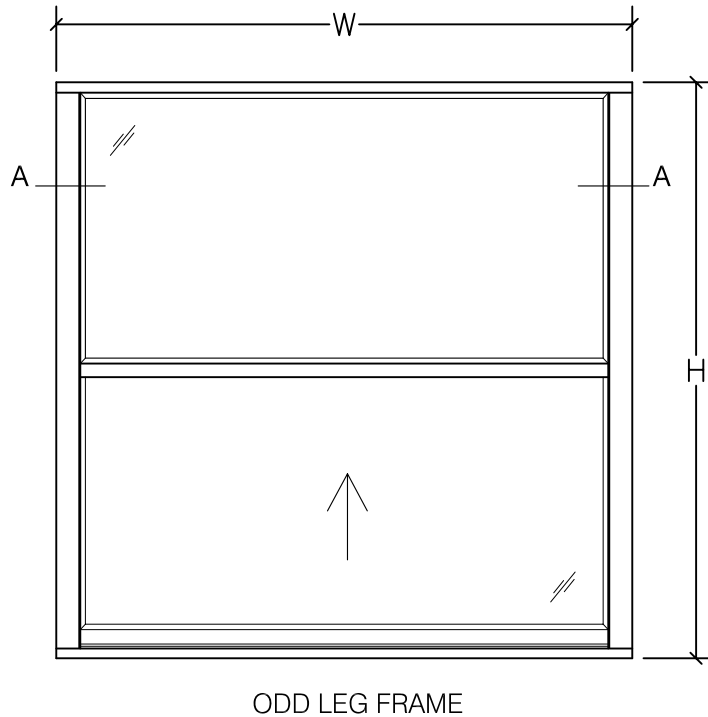


ALUMINUM SARARO 5 SINGLE HUNG SASH WINDOW (ODD AND EVEN LEG FRAMES)

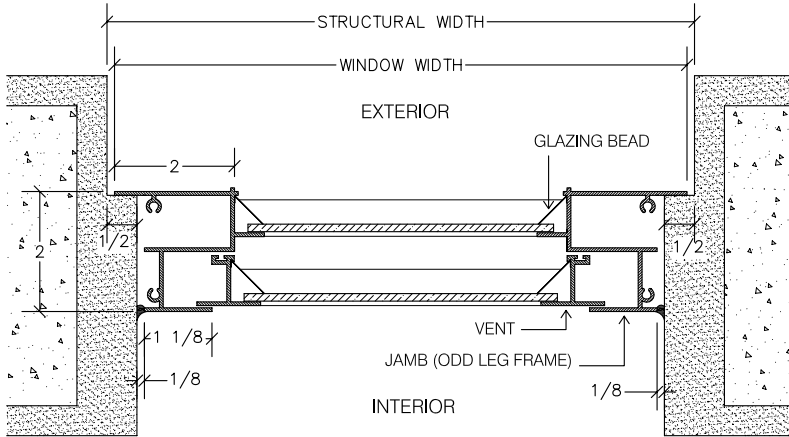


The Sararo 5 Aluminum Single Hung Sash redefines standards in the window industry it is the heaviest window in its class made to receive up to 1/2" thick glass. The Sararo 5 is designed to meet and exceed architectural aluminum manufacturers association specifications 101.93. Drain holes in the sill "weep" water away. The top section is fixed while the bottom section moves up and down.

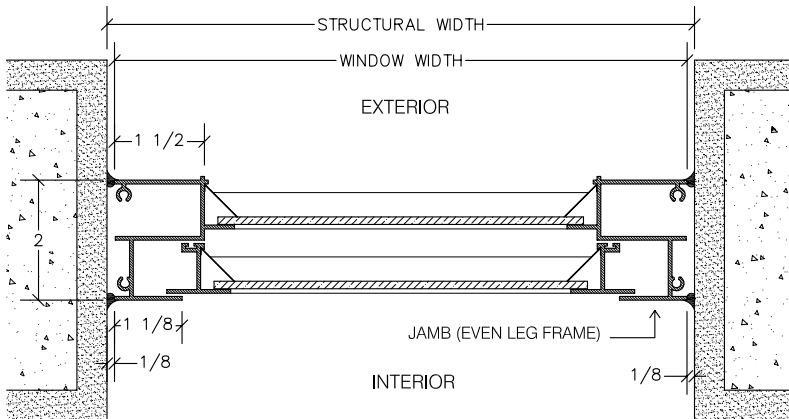
FEATURES:

- Standard or colonial style muntins
- Easy to remove vents for cleaning and maintenance
- Secure automatic locking system
- Block & Tackle balancers
- Insect screens (unless otherwise stated)
- Clear, obscure, tinted and reflective glass
- Equal leg frame for modular sizes allowing windows to join together without using a mullion

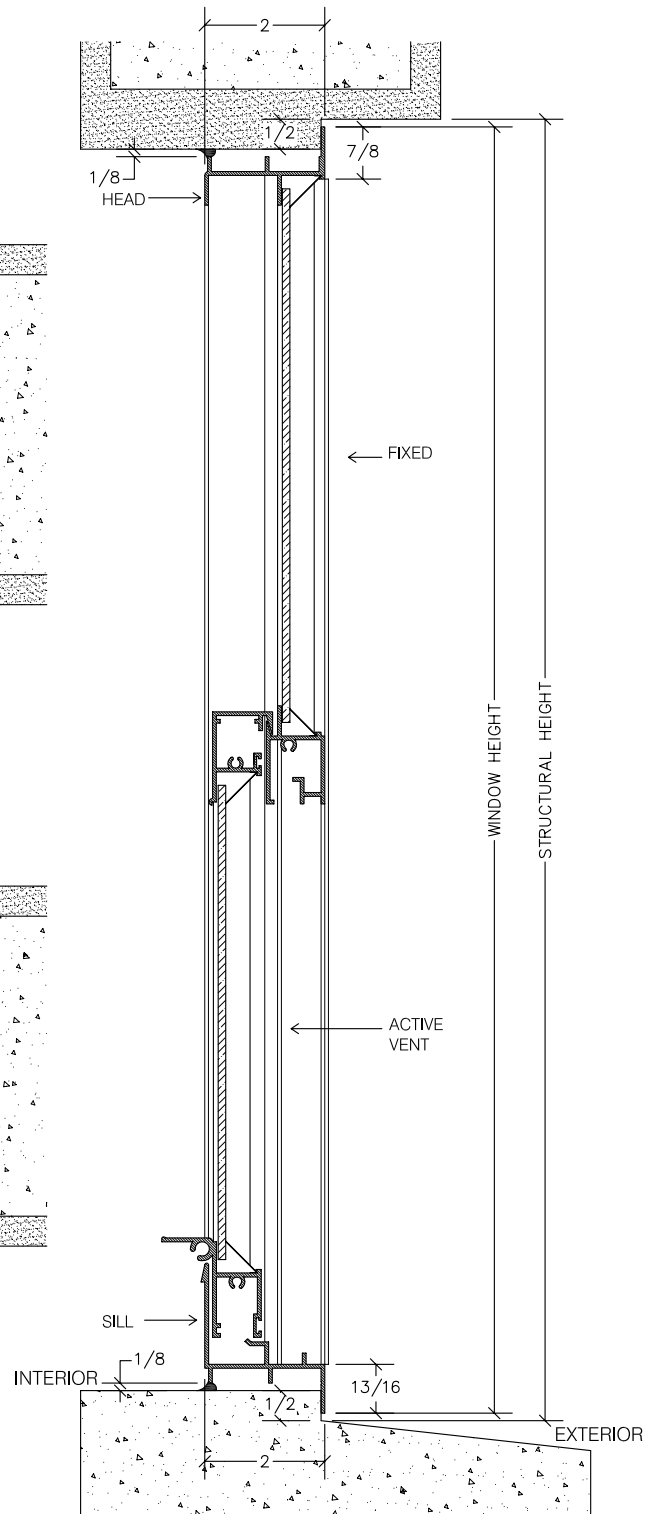
ALUMINUM SARARO 5 SINGLE HUNG SASH WINDOW (ODD AND EVEN LEG FRAMES)



SECTION A-A

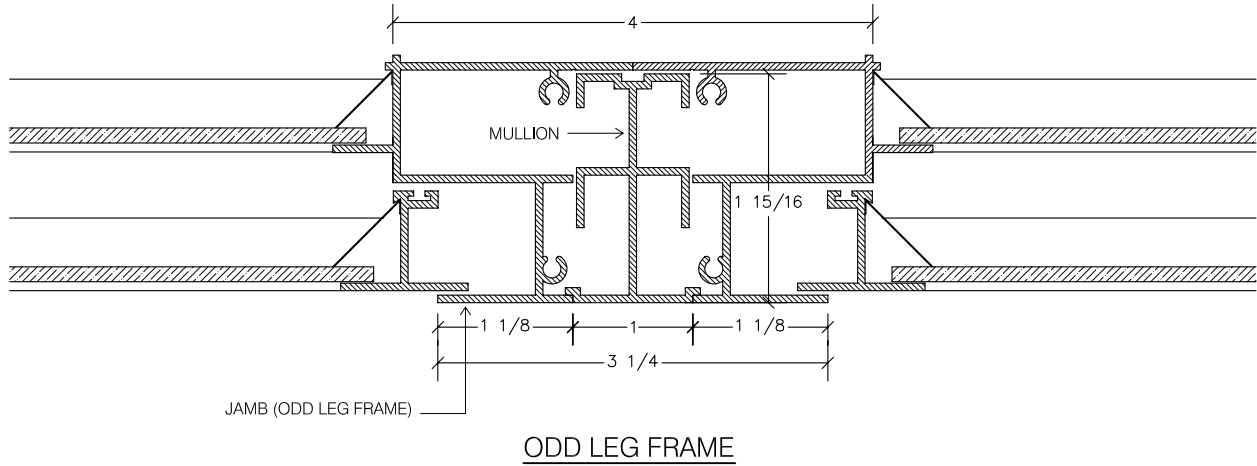
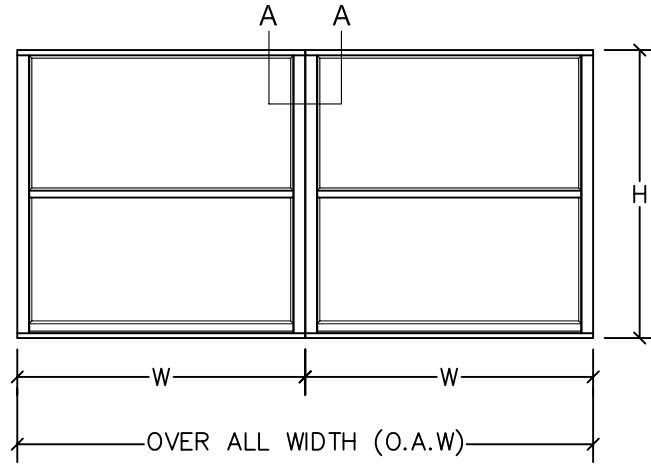


SECTION B-B

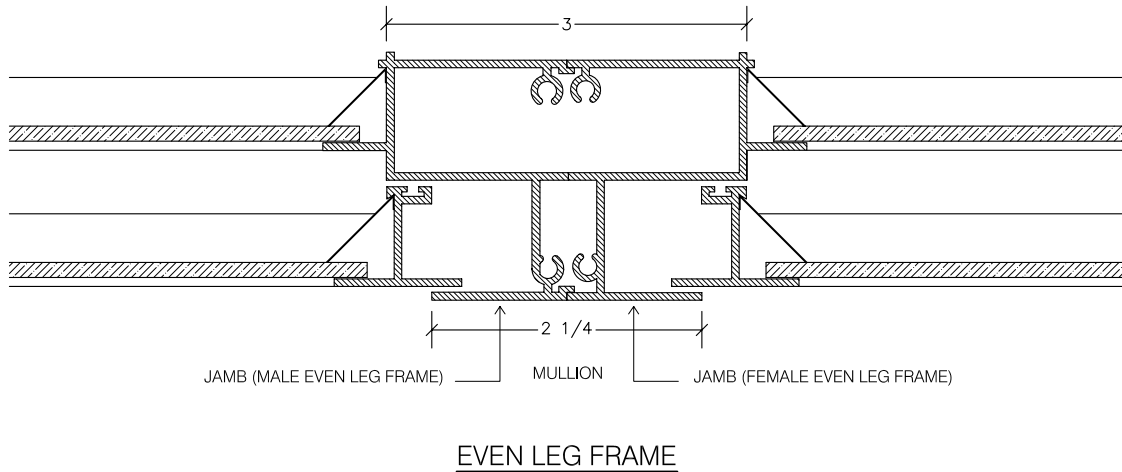


SECTION C-C

ALUMINUM SARARO 5 SINGLE HUNG SASH WINDOW (ODD AND EVEN LEG FRAMES)



SECTION A-A



SECTION A-A