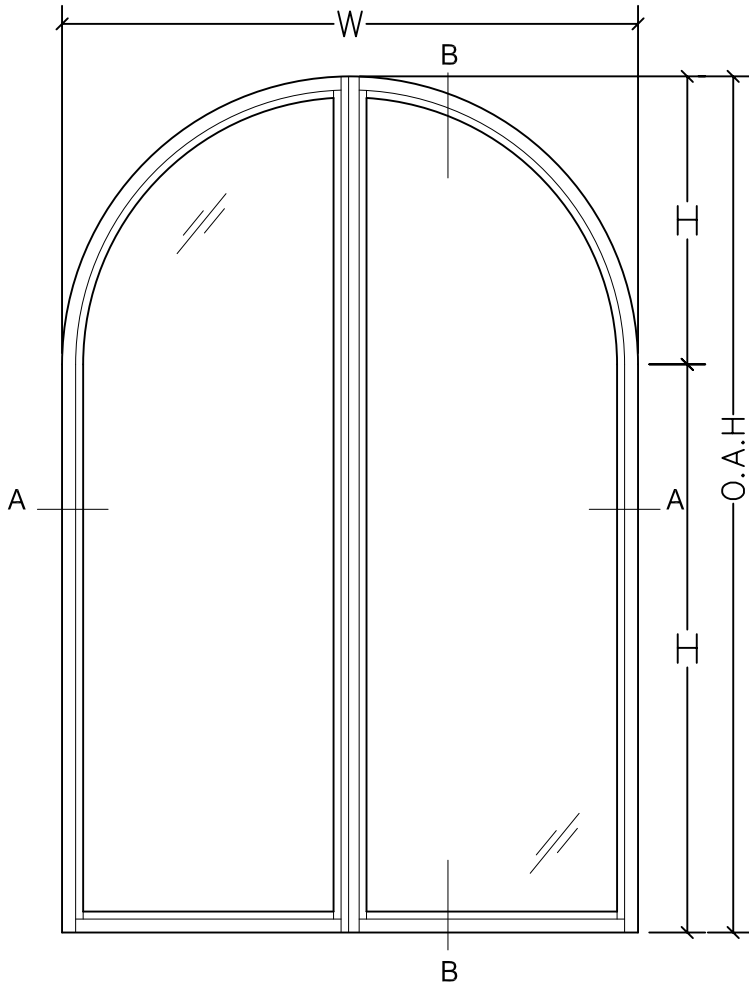
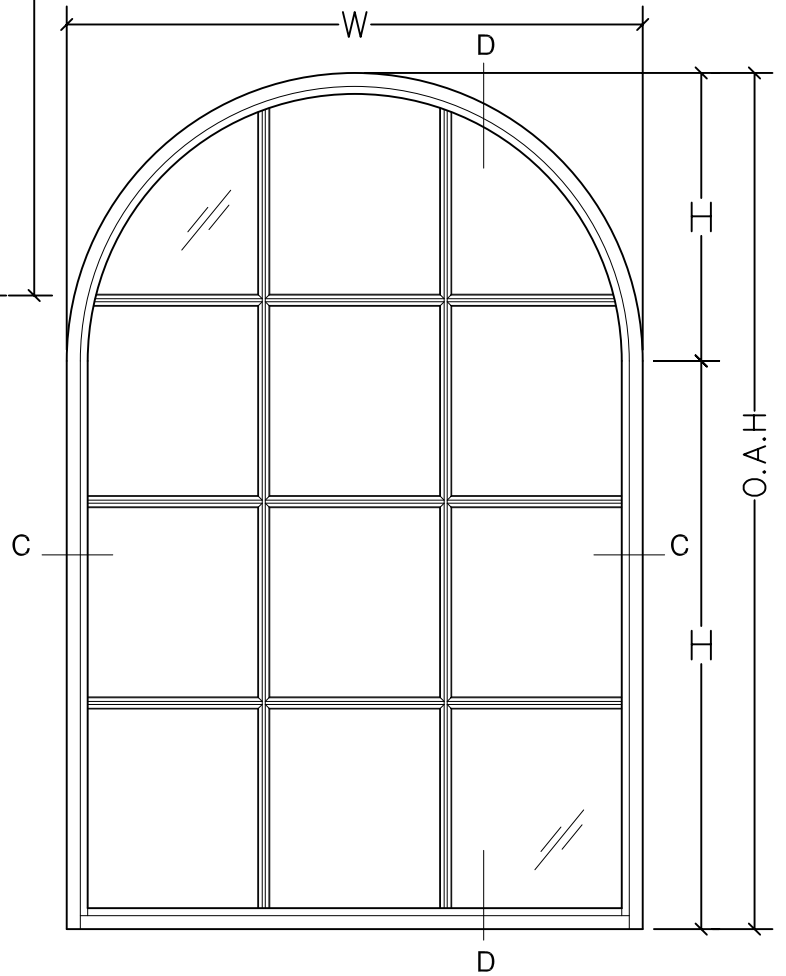


RL3 ALUMINUM FIXED WINDOWS  
 (WITH ARCH TOP)

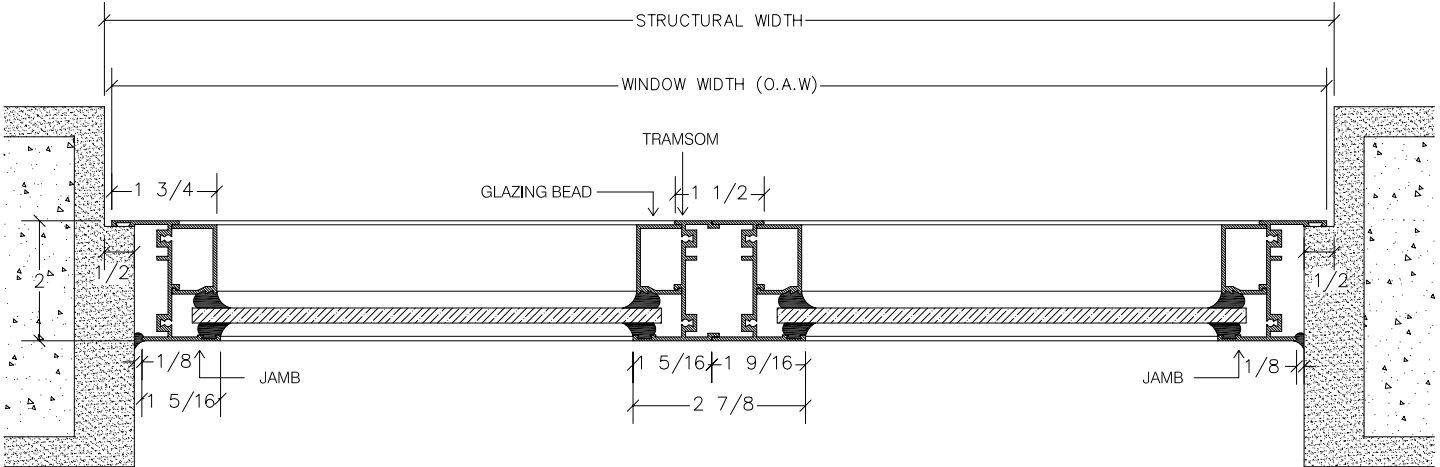


RL3 ALUMINUM FIXED WINDOW  
 (WITH TRANSOM IN THE CENTRE)

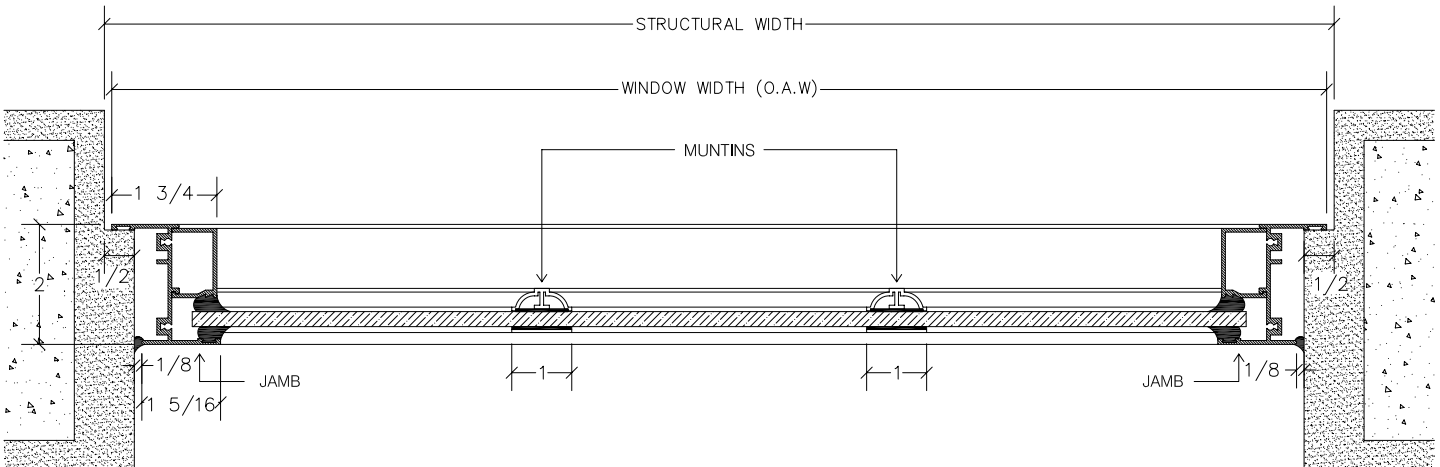


RL3 ALUMINUM FIXED WINDOWS  
 (WITH MUNTINS)

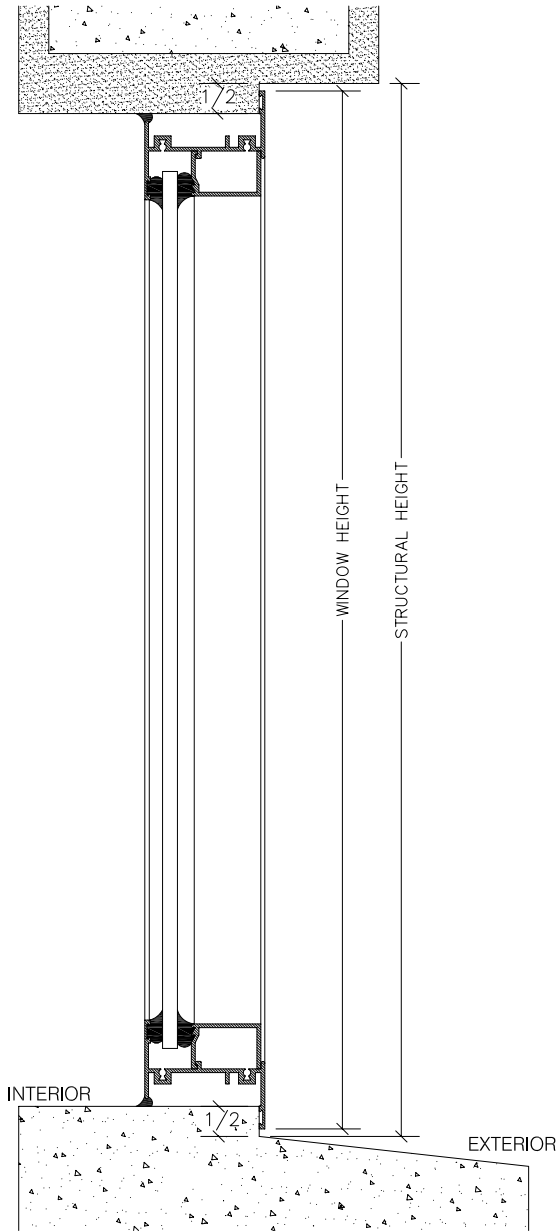
RL3 ALUMINUM FIXED WINDOWS  
 (WITH ARCH TOP)



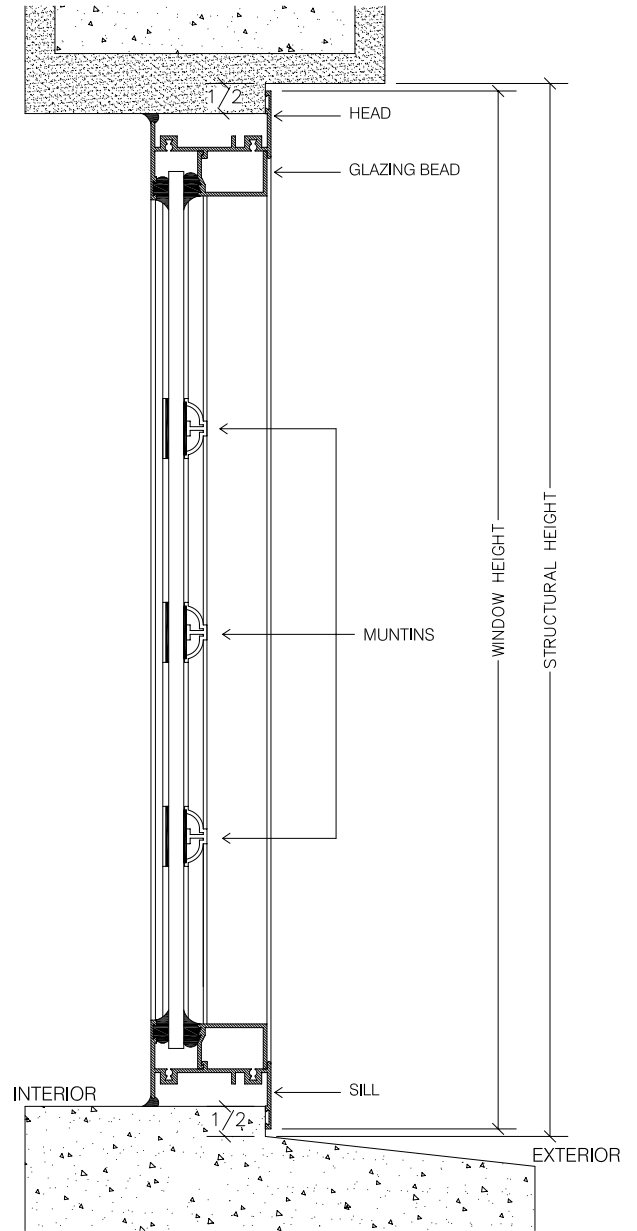
SECTION A-A  
RL3 ALUMINUM FIXED WINDOWS (WITH TRANSOM IN THE CENTRE)



SECTION C-C  
RL3 ALUMINUM FIXED WINDOWS (WITH MUNTINS)



SECTION B-B  
RL3 ALUMINUM FIXED WINDOW  
(WITH TRANSOM IN THE CENTRE)



SECTION D-D  
RL3 ALUMINUM FIXED WINDOW  
(WITH MUNTINS)