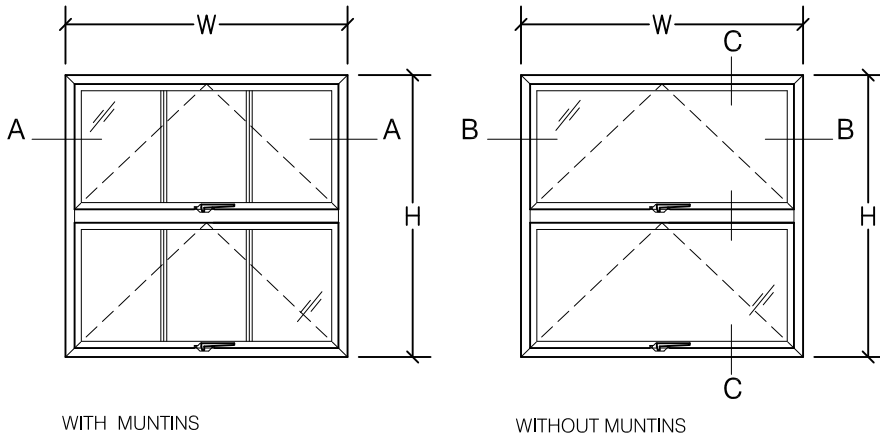


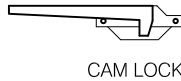
RL2 ALUMINUM PROJECTION WINDOWS EVEN LEG FRAME (WITH SQUARE GLAZING BEAD)



WITH MUNTINS

WITHOUT MUNTINS

ELEVATIONS ARE VIEWED FROM THE INSIDE

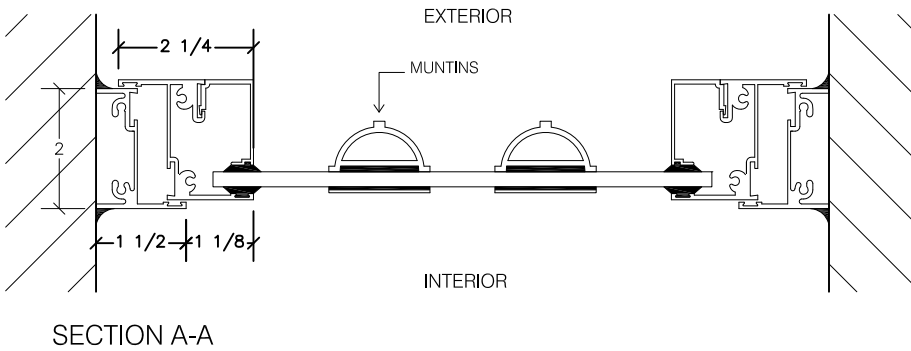


CAM LOCK

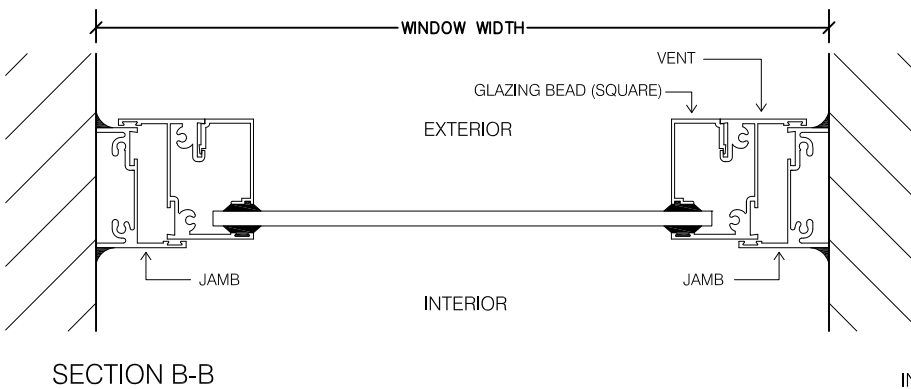
Projection windows are hinged at the top and swing out. There are no standard sizes and you can combine fixed and operable units in a single frame. These windows are well-suited for any seaside area where the elements are at their toughest.

FEATURES:

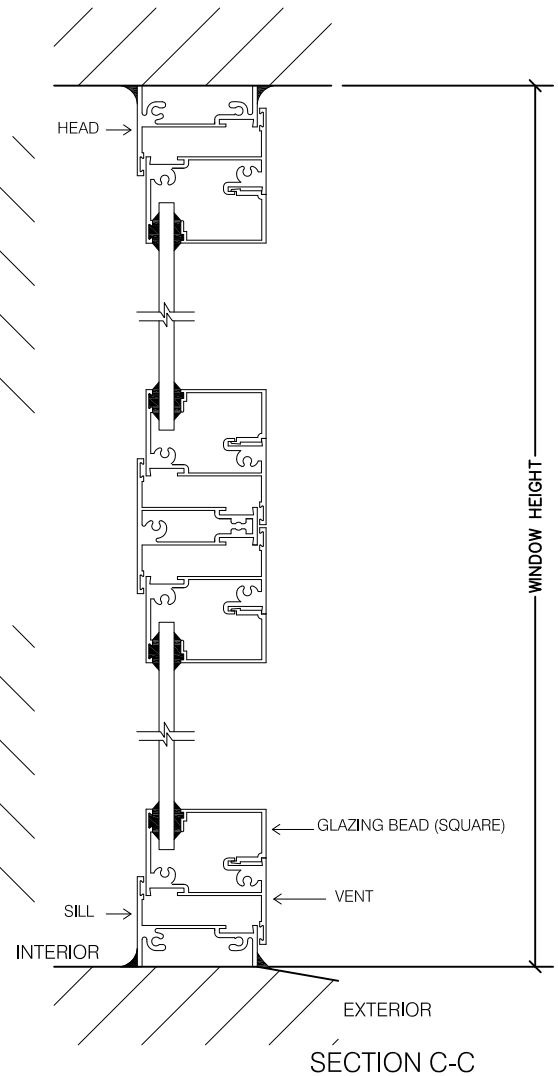
- Standard hardware includes stainless steel friction hinges and cam locking handles.
- Fasteners and hardware are either stainless steel or aluminum which will resist corrosion.



SECTION A-A

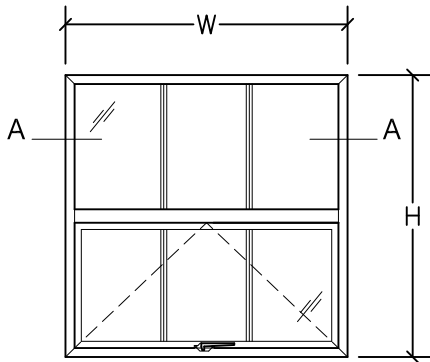


SECTION B-B

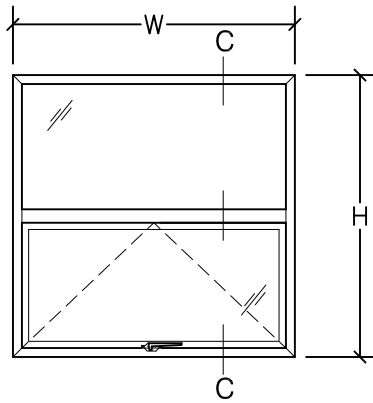


SECTION C-C

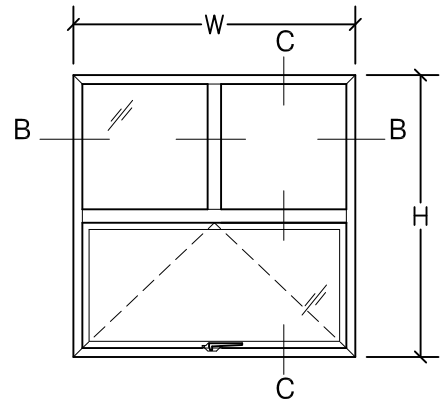
RL2 ALUMINUM FIXED & PROJECT WINDOWS EVEN LEG FRAME (WITH SQUARE GLAZING BEAD)



WITH MUNTINS



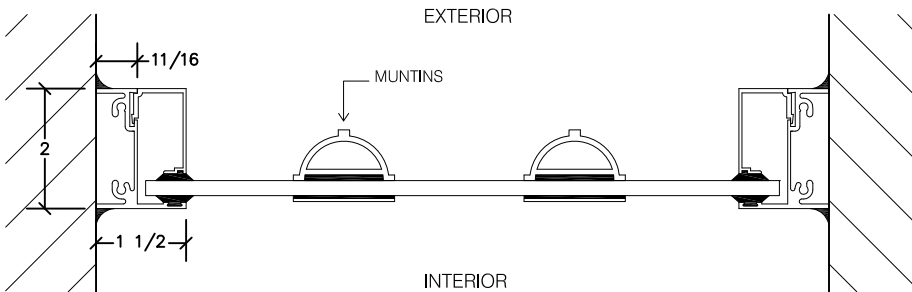
WITHOUT MUNTINS



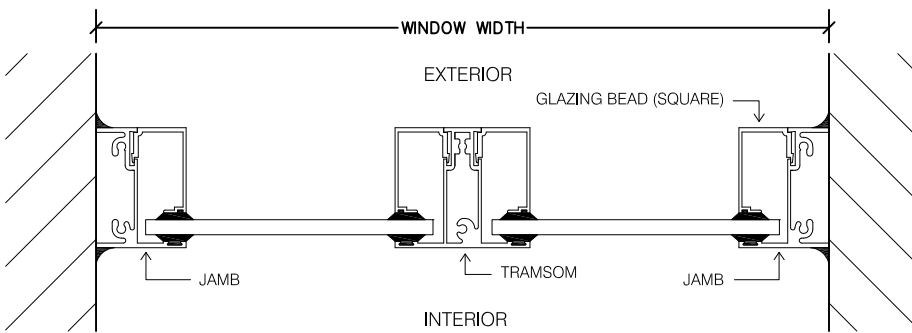
ELEVATIONS ARE VIEWED FROM THE INSIDE



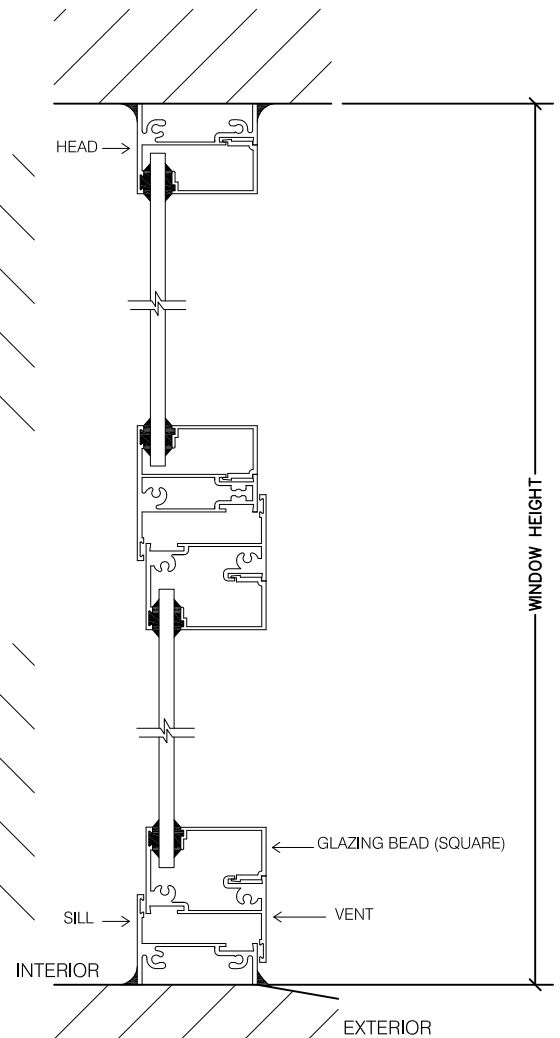
CAM LOCK



SECTION A-A



SECTION B-B



SECTION C-C