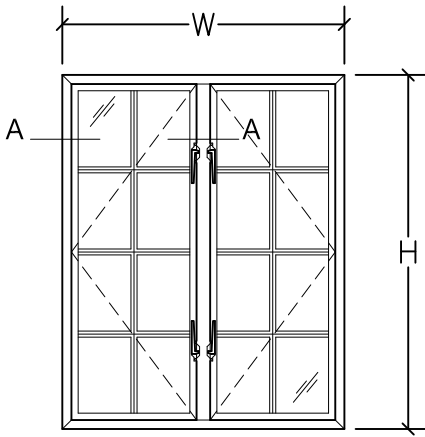


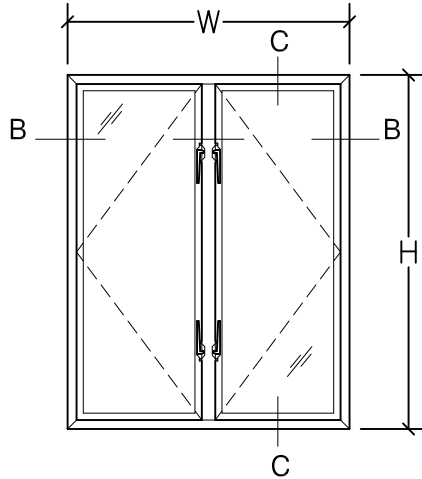
RL2 ALUMINUM CASEMENT WINDOWS

EVEN LEG FRAME

(WITH SQUARE GLAZING BEAD)



WITH MUNTINS



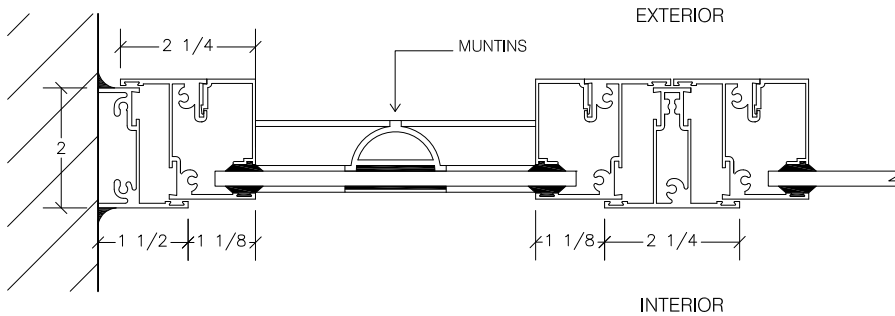
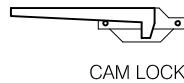
WITHOUT MUNTINS

ELEVATIONS ARE VIEWED FROM THE INSIDE

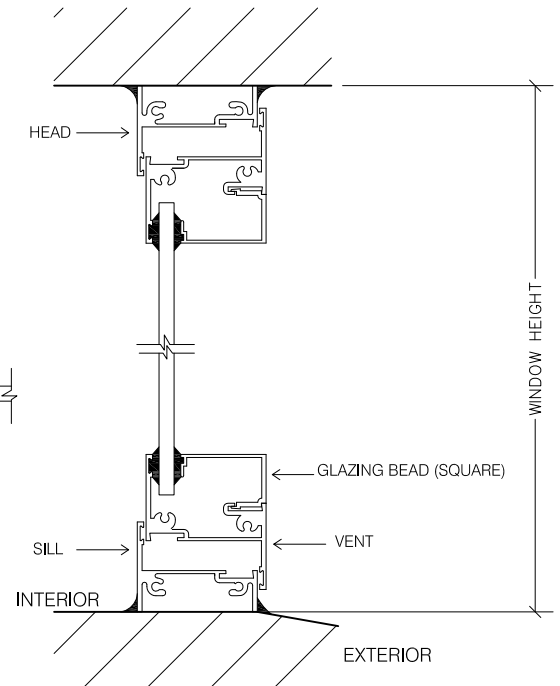
Casement windows are hinged on the side and swing out. There are no standard sizes and you can combine fixed and operable units in a single frame. These windows are well-suited for any seaside area where the elements are at their toughest.

FEATURES:

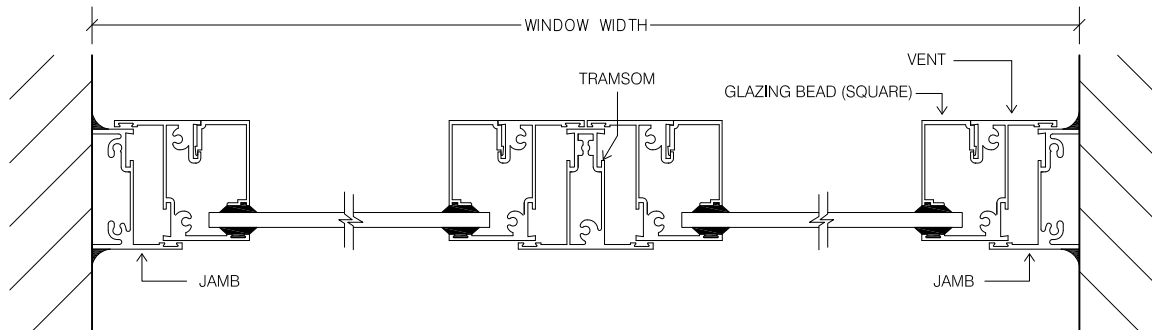
- Standard hardware includes stainless steel friction hinges and cam locking handles.
- Fasteners and hardware are either stainless steel or aluminum which will resist corrosion.



SECTION A-A



SECTION C-C

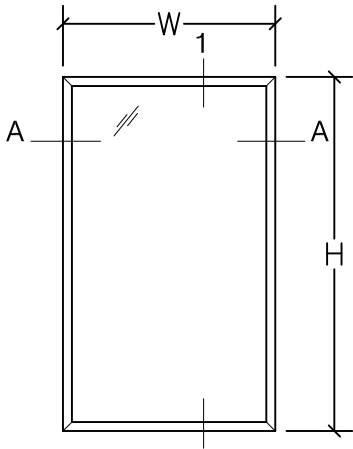


SECTION B-B

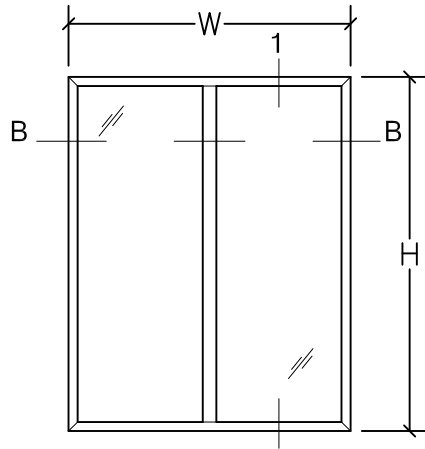
RL2 ALUMINUM FIXED & CASEMENT WINDOWS

EVEN LEG FRAME

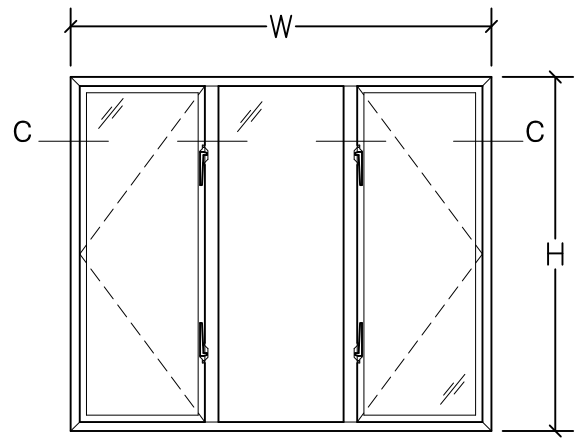
(WITH SQUARE GLAZING BEAD)



FIXED WINDOW

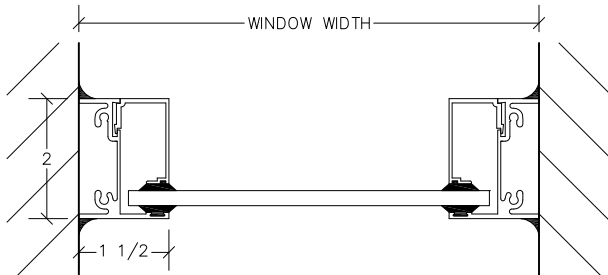


FIXED WINDOW IN 2 BAYS

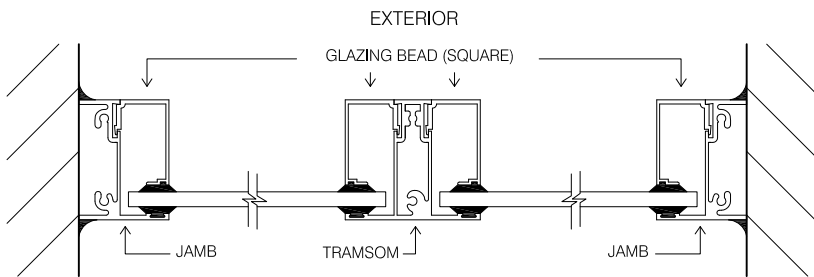
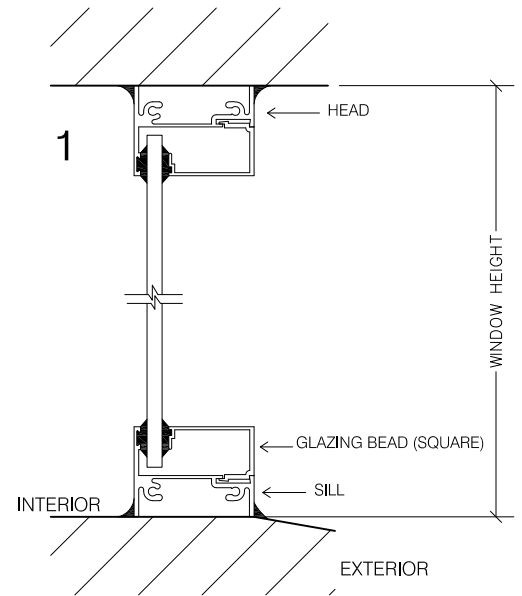


CASEMENT WINDOW IN 3 BAYS
CENTRE BAY IS FIXED

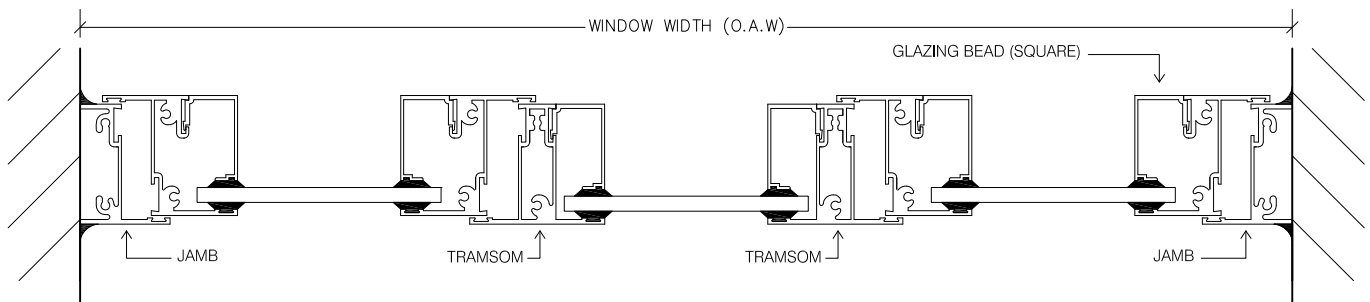
ELEVATIONS ARE VIEWED FROM THE INSIDE



SECTION A-A



SECTION B-B



SECTION C-C