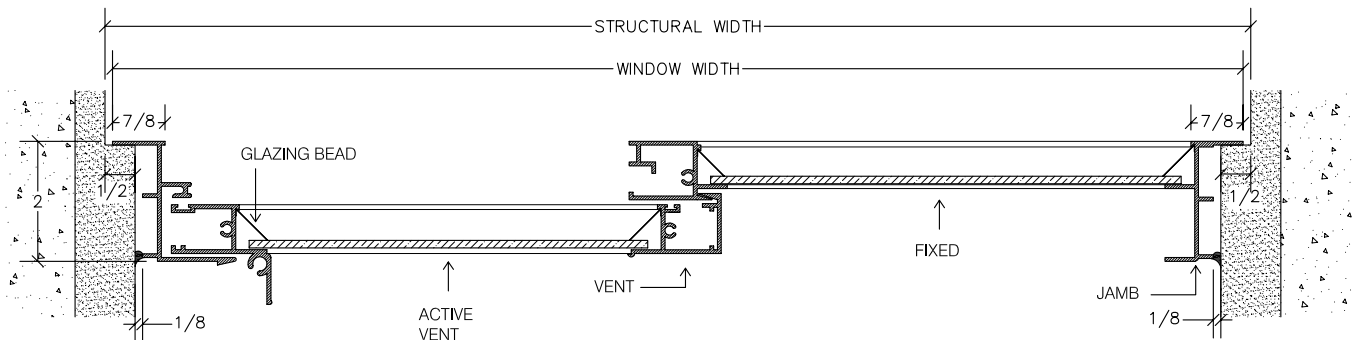
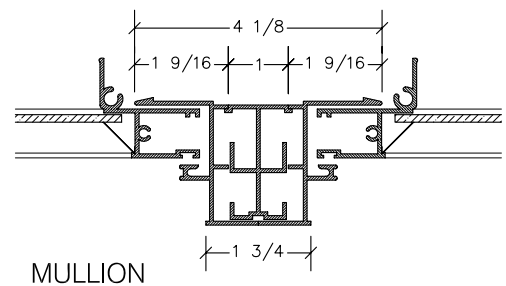


The Gabby window is composed of a stationary sash and one sash that glides to the right or left in its track. The window is designed to meet and exceed AAMA Hi Performance Specifications. It can be combined with other windows to make attractive combinations.

FEATURES:

- Continuous weatherstripping
- Half screens easily installed
- All moving parts have nylon guides for ease of operation and low maintenance
- Easy "Take - Out" sash for cleaning
- Bronze tinted, clear, and obscure glass

SECTION A-A



SECTION B-B